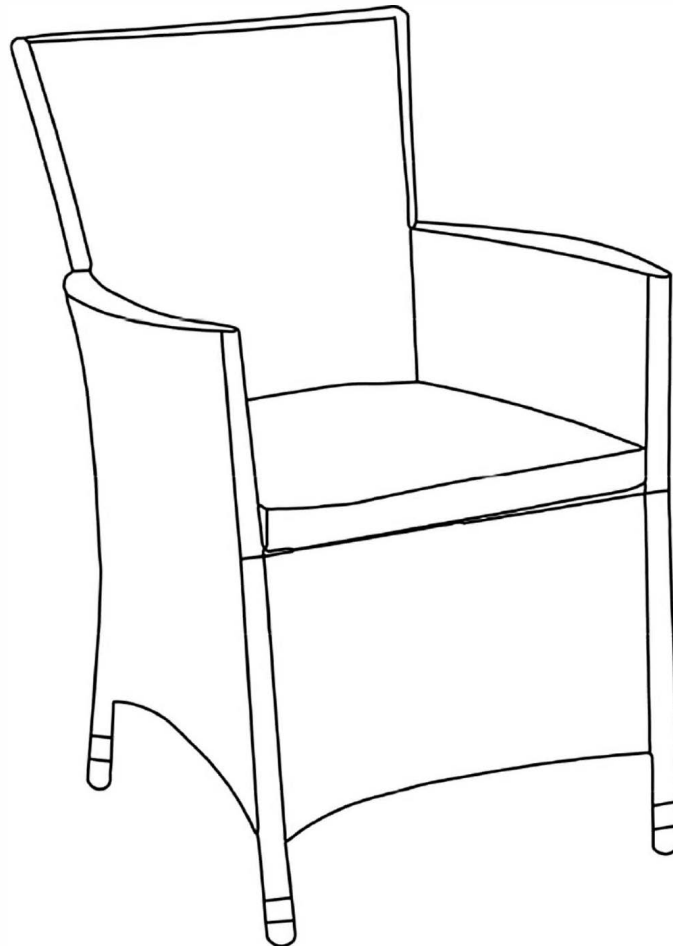


Product size:
W59*D61*H90.5cm



The intended use of this product is for domestic use only.

Important, please retain for future reference.

Read carefully.



Cannes KD Carver Chair incl. Cushion Assembly Instructions

Before you start



Warnings

IMPORTANT, RETAIN FOR FUTURE REFERENCE READ CAREFULLY

See enclosed instructions for assembly, safety and care information.

Failure to follow the warnings could result in serious injury.

Handle heavy parts with care.

Ensure that this product is fully assembled as illustrated before use.

This product should only be used on firm, level ground.

Keep small parts out of reach of children.

Do not stand or climb onto this product.

This product is intended for **domestic use** only.
Ensure the table is always placed on level ground.

Furniture can be dangerous if incorrectly used. No liability will be accepted for damage or injury caused by incorrect use of this product.



Dos

When you are ready to start, make sure that you have the right tools, plenty of space and a clean, dry area for assembly.

Unwrap all packaging materials and place the components on suitable surface to prevent scratching your product.

Check the pack and make sure you have all parts listed. In the event of problems or missing parts, please contact the seller.

Check all screws and bolts are tightened and inspect regularly.

This product is suitable for all year outdoor use, but we recommend that a furniture cover be used to add additional protection to your product when not in use.

PLEASE NOTE - All cushions should be stored indoors after use. The cushions are not waterproof.

During severe weather conditions, including high winds, rain, hail, thunderstorms, extreme heat and cold temperatures, the product should be stored inside in a cool, dry place.

During prolonged sunny spells, we recommend that furniture should be covered over with a protective furniture cover and/or stored inside when not in use. This will help prevent harmful UV rays from damaging and discolouring the material.

To best preserve the material (synthetic rattan) we recommend the use of a UV protector spray like Fabsil. This will block the harmful UV rays from damaging the material.

Before storage, ensure that the product is clean and dry.

To clean, wipe down with a sponge and warm soapy water and wipe with a clean, dry cloth.



Don'ts

Never tilt the chair during use.

Do not stand or climb onto the product.

Do not use power tools to construct this product.

Do not sit or lean onto the arms of this product.

Do not use this product if parts are missing, damaged or worn.

Never use scourers, abrasives or chemical cleaner.

Do not use this product as a ladder as this could lead to the product becoming unbalanced and overturning.

Do not place very hot or very cold items on this product surface.

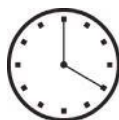
Never drag furniture when moving it, always lift it.

Number of people required for assembly

One person



Time to assemble



20 minutes

Tools required



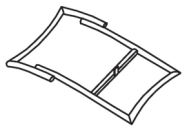
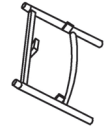


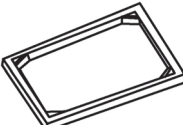


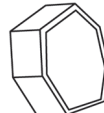


Tips:

It is best not to fully tighten the nuts and bolts until they are all correctly located. Only carefully tighten them when you are satisfied with the alignment of all components. Be careful not to overtighten.

www.royalcraft.co.uk

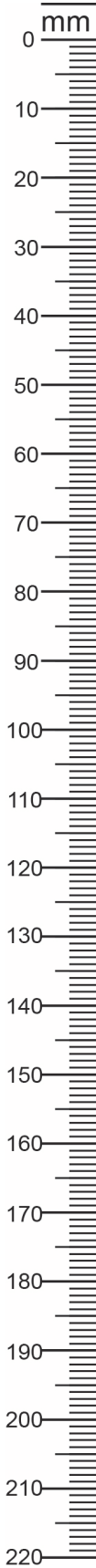
Cannes KD Carver Chair incl. Cushion Assembly Instructions

Components, fixtures & fittings (not actual size)

Parts List					
Part No.	Diagram	Qty	Part No.	Diagram	Qty
A	 Backrest	2 PCS	B	 Front Leg	2 PCS
C	 Left Armrest/Leg	2 PCS	D	 Right Armrest/Leg	2 PCS
E	 Seat Panel	2 PCS	F	 Cushion	2 PCS
F1	 Spanner	1 PC	F2	 Bolt Head Cap	12 PCS
F3	 Washer	12 PCS	F63	 M6*20mm Bolt	12 PCS

Please note the diagram is for reference only, it may not fully represent the actual appearance of the parts.

The quantity marked is for 2 PCS Chairs.

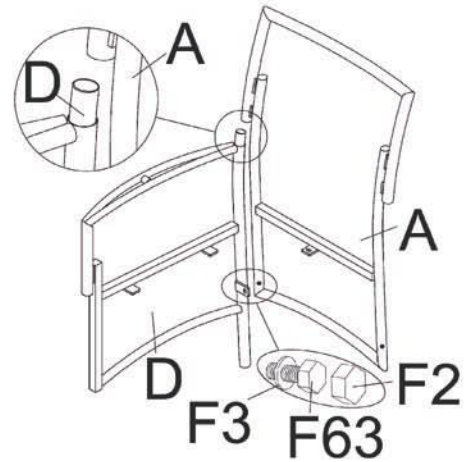


Step by step assembly instructions

Step One

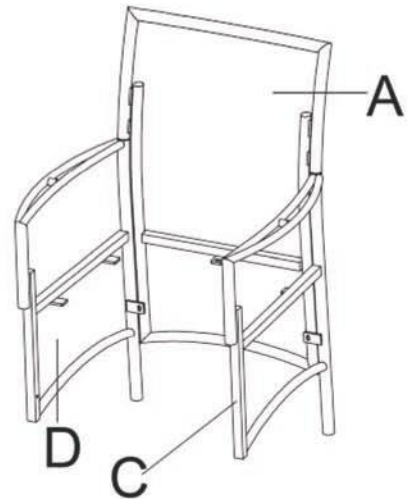
Align Backrest (A) with Right Armrest/Leg (D).
Carefully insert the tubular mating part of
Right Armrest/Leg (D) into the end of
the tube on Backrest (A).

Connect the Backrest (A) and Right Armrest/Leg (D)
using Washers (F3) and Bolts (F63).
Make sure all bolts are in place and turn freely.
At this stage, don't tighten the bolts.



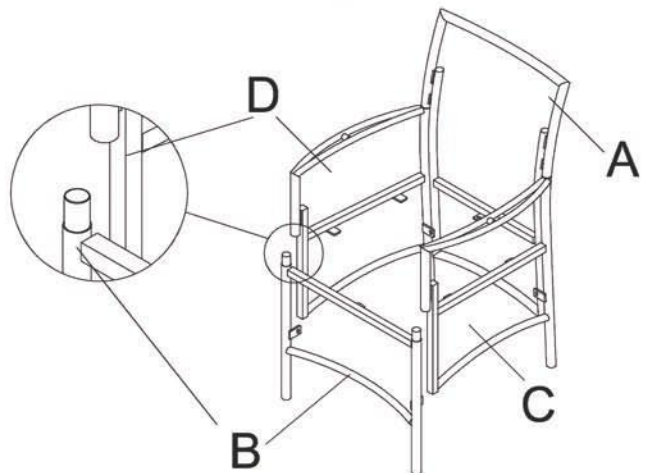
Step Two

Repeat above steps for Left Armrest/Leg (C) as shown.



Step Three

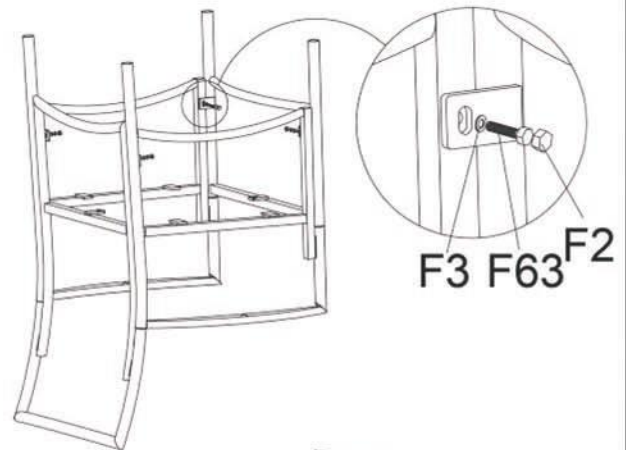
Place the sub assembly from above onto
Front Leg (B) as shown.



Cannes KD Carver Chair incl. Cushion Assembly Instructions

Step Four

Turn the partly-assembled chair upside down. Locate assembly holes, connect all parts using Washers (F3) and Bolts (F63). Make sure all bolts are in place and turn freely. At this stage, don't tighten the bolts.



Step Five

Turn the partly-assembled chair to the upright position. Push Seat Panel (E) into place as shown.

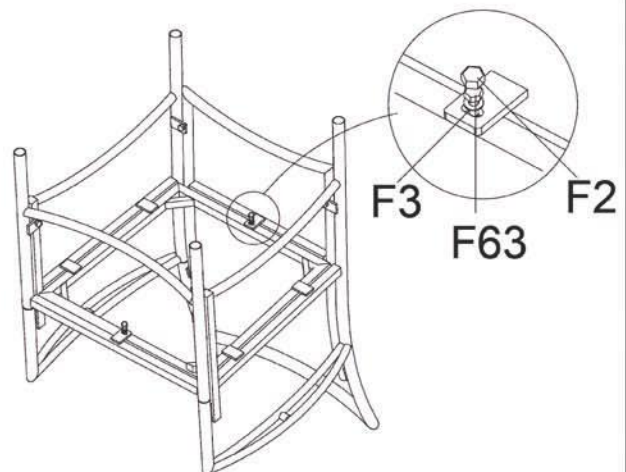


Step Six

Turn over the partly-assembled chair. Fix the Seat Panel (E) in place using Washers (F3) and Bolts (F63).

Once you are satisfied with the alignment of all components, carefully tighten all bolts using Spanner (F1).

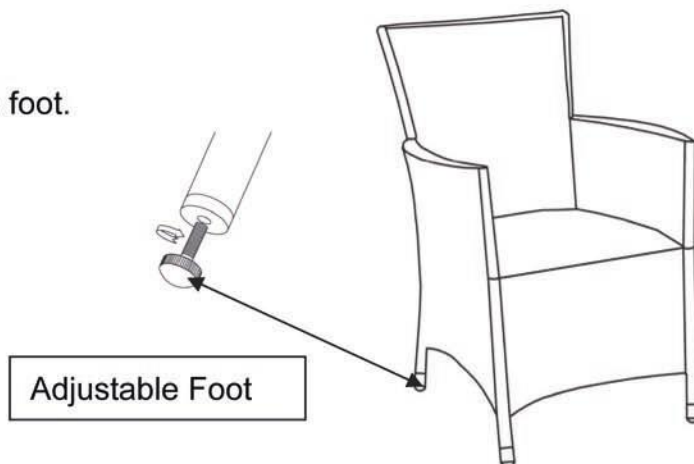
Do not over-tighten. Cover each Bolt Head with Bolt Head Cap (F2).



Cannes KD Carver Chair incl. Cushion Assembly Instructions

Step Seven

Level the chair with pre-fitted adjustable foot.



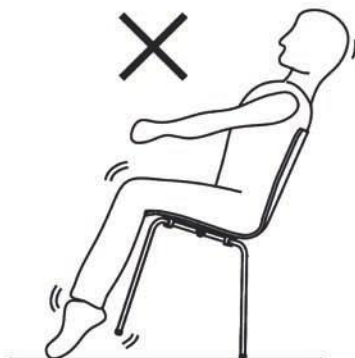
Step Eight

Place the Seat Cushion (F) onto the Seat Panel (E).

Your chair is now ready for use.



Never tilt the Chair during use.
Ensure the product is always placed firmly
on the ground.



PLEASE KEEP THESE INSTRUCTIONS FOR FUTURE REFERENCE