

Product size: L118\*W118\*H75.7 cm



The intended use of this product is for domestic use only.

Important, please retain for future reference.

Read carefully.



# Faro 5pcs Black Deluxe Cube Set - Table Assembly Instructions

## Before you start



### Warnings

#### IMPORTANT, RETAIN FOR FUTURE REFERENCE READ CAREFULLY

See enclosed instructions for assembly, safety and care information.

Failure to follow the warnings could result in serious injury.

Handle heavy parts with care.

Ensure that this product is fully assembled as illustrated before use.

This product should only be used on firm, level ground.

Keep small parts out of reach of children.

Do not stand or climb onto this product.

This product is intended for **Domestic Use** only.

Furniture can be dangerous if incorrectly used. No liability will be accepted for damage or injury caused by incorrect use of this product.



### Dos

When you are ready to start, make sure that you have the right tools, plenty of space and a clean, dry area for assembly.

Removing all packaging and banding and place the components carefully on suitable surfaces to prevent damaging or scratching them.

Check the pack and make sure you have all parts listed.

Check all screws and bolts are tightened and inspect regularly.

We recommend the use of furniture covers to protect your product when not in use.

This product is suitable for all year outdoor use.

However to prolong its life we recommend that during severely bad weather and during the winter months, it is stored in a cool, dry place.  
Before storage, ensure that the product is clean and dry.

To clean, wipe down with a sponge and warm soapy water and wipe with a clean, dry cloth.

### X Don'ts

Do not use scourers, abrasives, washing powders, chemical cleaners or any other substances containing abrasives since these substances can damage the product, including the glass panel.

Do not place very hot or very cold items on the glass surface unless adequately thick table-mats are used to prevent such items from coming into contact with the glass.

Do not use the glass as a chopping surface. Do not strike glass with hard or pointed items.

Do not strike the glass with hard or pointed items.

Do not use power tools to construct this product.

Do not use this product if parts are missing, damaged or worn.

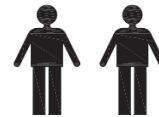
Do not sit or lean on this product.

Do not stand or climb onto the product and do not use it as a ladder, as this could lead to it unbalancing and overturning.

Never drag furniture when moving it, always lift it.

### Number of people required for assembly

Two people



### Time to assemble

30 Minutes

### Tools required



(Screw Driver, not provided)

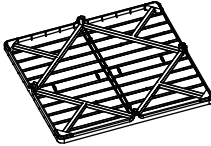
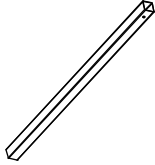
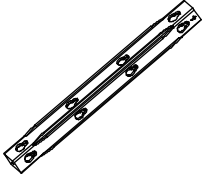
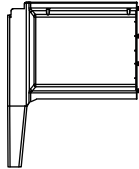

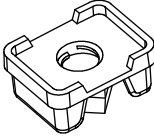
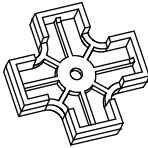




### Tips:

**Do NOT fully tighten bolts or crews before all components are connected. Only fully tighten once you are satisfied with the alignment of all components. Do not over-tighten the bolts or screws.**

[www.royalcraft.co.uk](http://www.royalcraft.co.uk)

# Faro 5pcs Black Deluxe Cube Set - Table Assembly Instructions

Components, fixtures & fittings (not actual size)

Parts List					
Part No.	Diagram	Qty.	Part No.	Diagram	Qty.
A	 Table Top	1 PC	B	 Inner Leg Pole	4 PCS
C	 Connecting Bar	1 PC	D	 Leg Panel	4 PCS
E	 Foot Cap	3 PCS	F	 Foot Cap	1 PC
G	 Connecting Ring	1 PC	H	 Foot Adjustable Bolt	1 PC
S28	 M6*28mm Screw	1 PC	S40	 M4*40mm Screw	16 PCS
S20	 M6*20mm Screw	4 PCS			



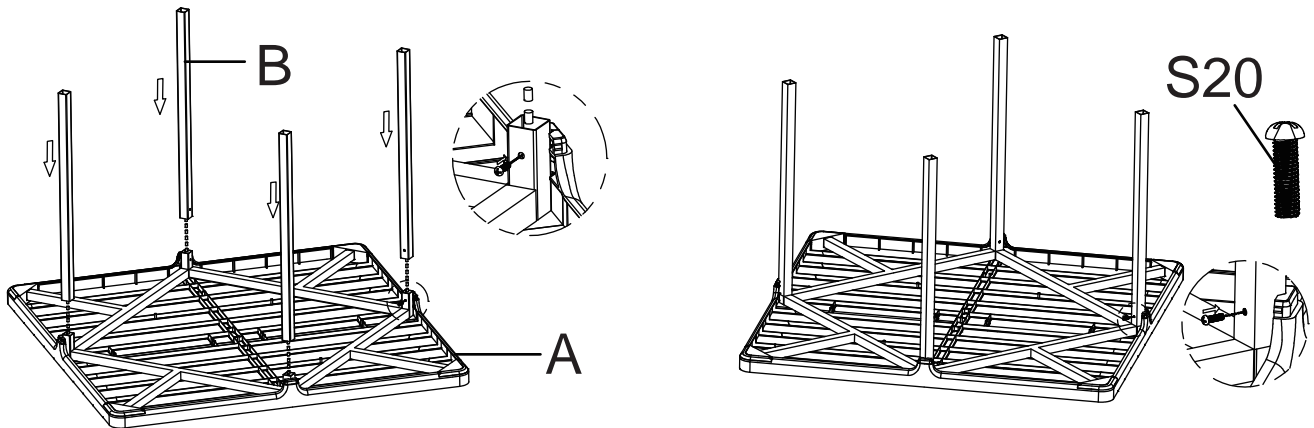
### Step by step assembly instructions

#### Step One

Open the packaging, take out the contents and carefully place the parts on the soft ground without scratches.

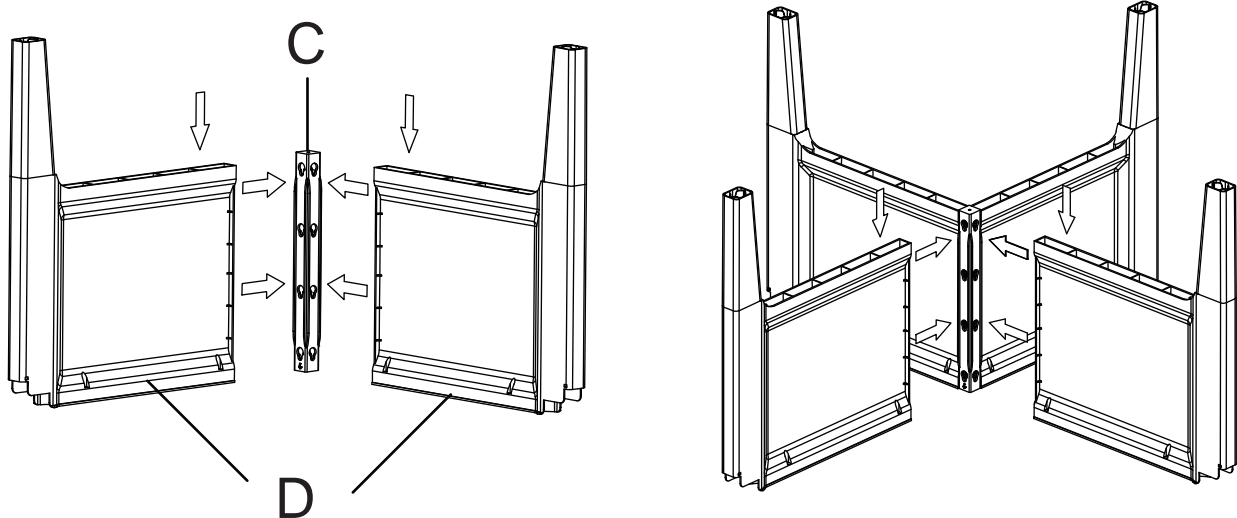
With the help of another person, place the Table Top (A) upside down on a flat, non-abrasive surface to avoid scratching the table surface or rim.

Attach the Inner Leg Poles (B) to the Table Top (A) using Screws (S20).



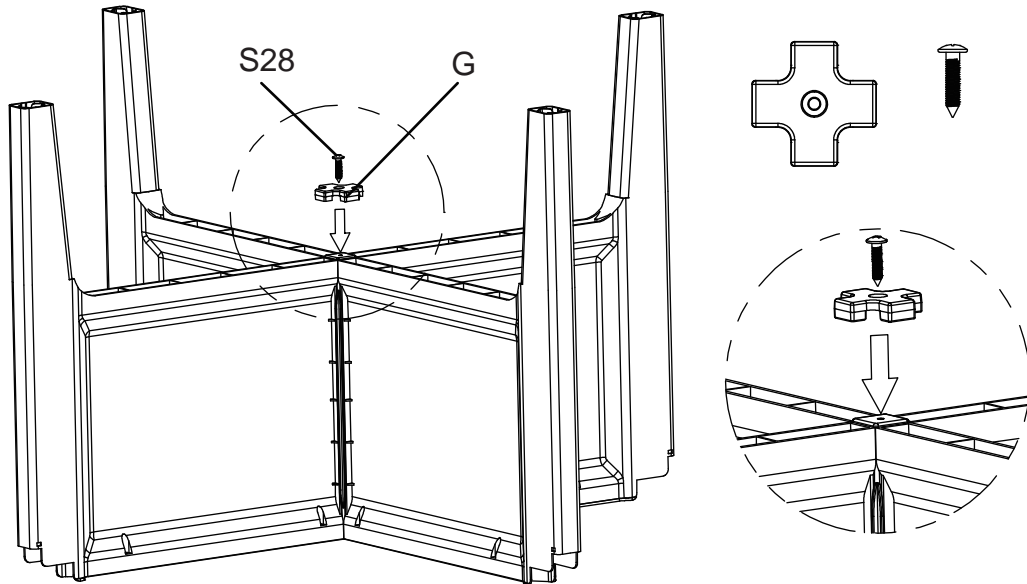
#### Step Two

Attach the Leg Panels (D) to the Connecting Bar (C).



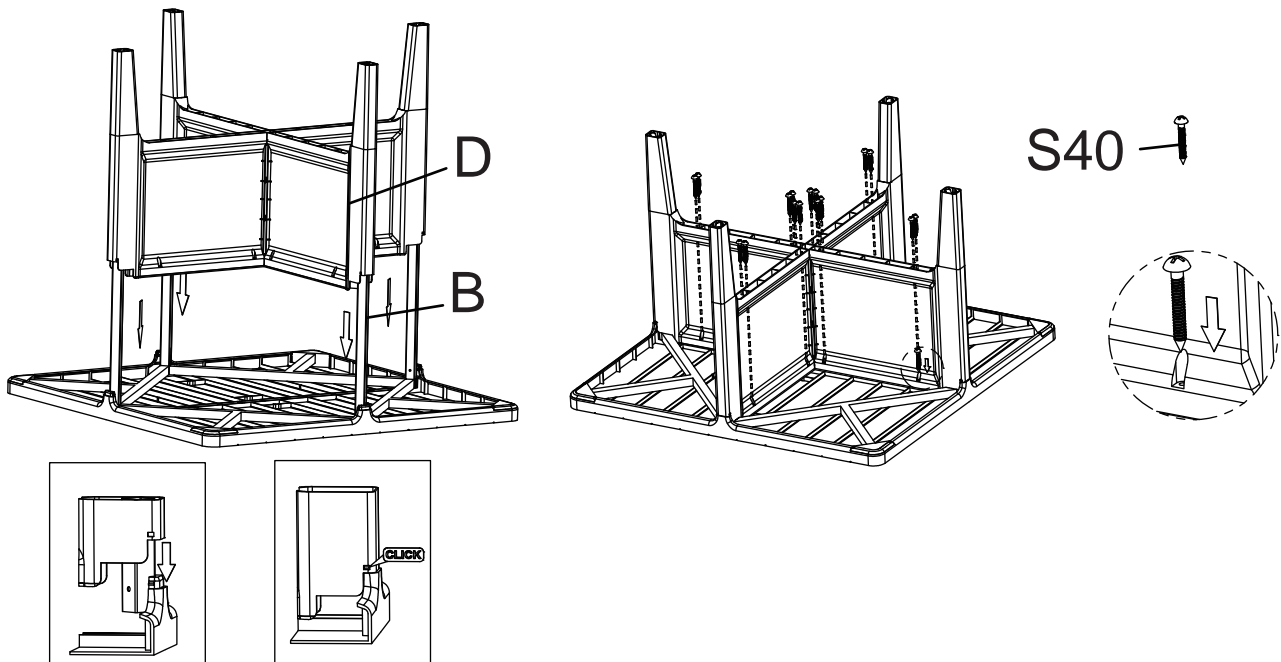
### Step Three

Attach the Connecting Ring (G) to the above partly-assembled components using Screw (S28).



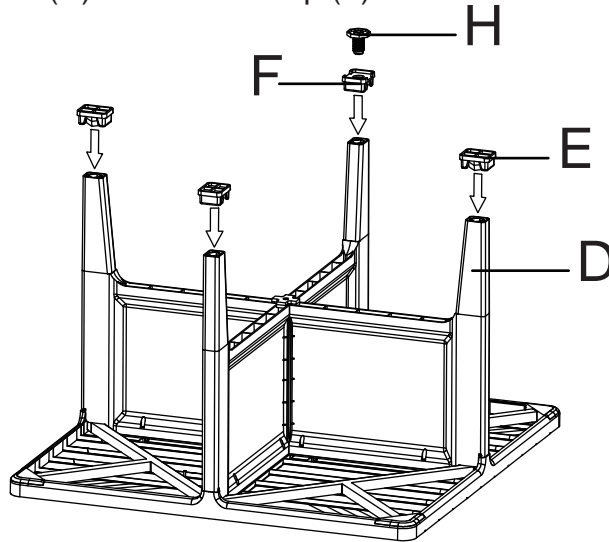
### Step Four

Attach the Leg Panel (D) to the Inner Leg Poles (B) using Screws (S40).



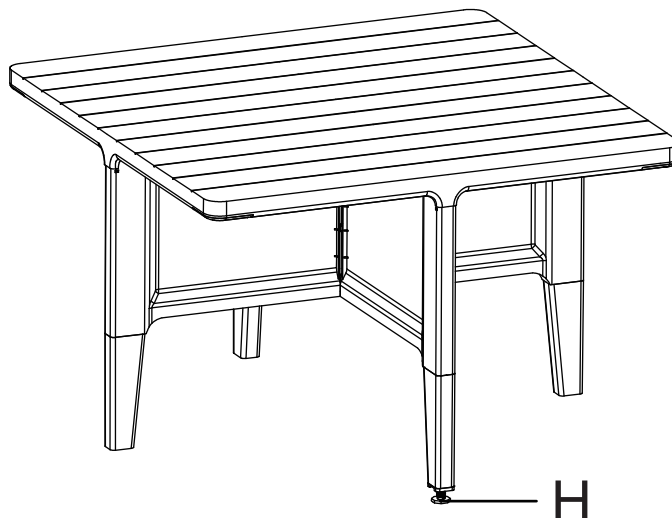
### Step Five

Attach the Foot Caps (E) and Foot Cap (F) to the Leg Panels (D).  
Screw the Foot Adjustable Bolt (H) to the Foot Cap (F).



### Step Six

With the help of another person, carefully lift the table in the upright position. Level the table with Foot Adjustable Bolt (H).  
During this levelling process you may have to try it for several times.  
Your table is now ready for use.



**PLEASE KEEP THESE INSTRUCTIONS FOR FUTURE REFERENCE**