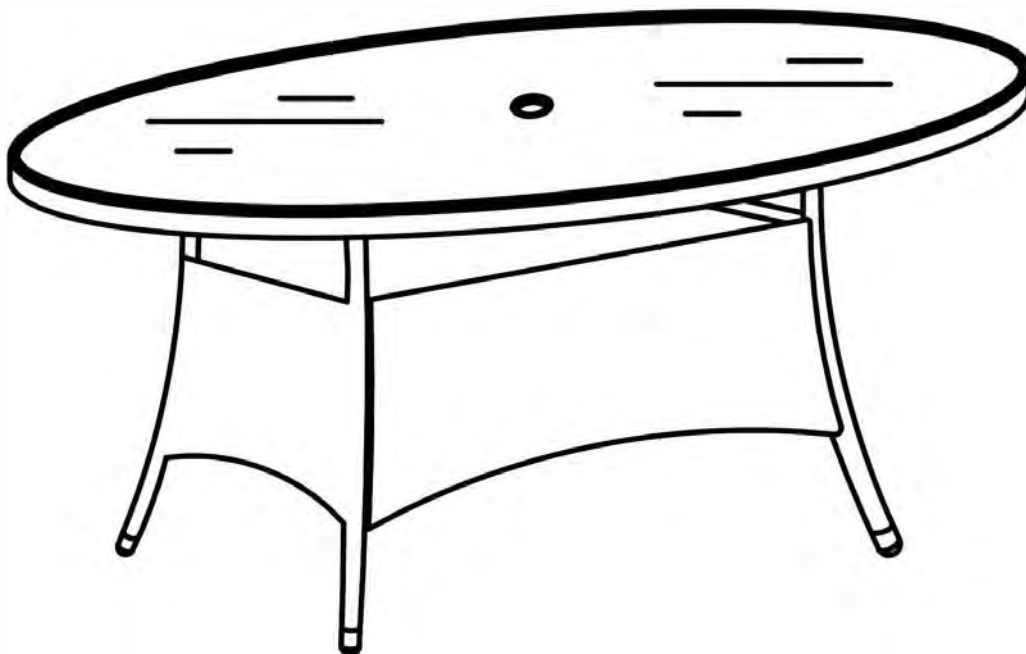


Product size:
W200*D145*H75cm



The intended use of this product is for domestic use only.

Important, please retain for future reference.

Read carefully.



Wentworth 200x145cm Table

Assembly Instructions

Before you start



Warnings

IMPORTANT, RETAIN FOR FUTURE REFERENCE READ CAREFULLY

See enclosed instructions for assembly, safety and care information.

Failure to follow the warnings could result in serious injury.

Handle heavy parts with care.

Ensure that this product is fully assembled as illustrated before use.

This product should only be used on firm, level ground.

Keep small parts out of reach of children.

Do not stand or climb onto this product.

This product is intended for **domestic use** only.
Ensure the table is always placed on level ground.

Furniture can be dangerous if incorrectly used. No liability will be accepted for damage or injury caused by incorrect use of this product.



Dos

When you are ready to start, make sure that you have the right tools, plenty of space and a clean, dry area for assembly.

Unwrap all packaging materials and place the components on suitable surface to prevent scratching your product.

Check the pack and make sure you have all of the parts listed. In the event of problems or missing parts, please contact the seller.

Check all screws and bolts are tightened and inspect regularly.

This product is suitable for all year outdoor use, but we recommend that a furniture cover be used to add additional protection to your product when not in use.

During server weather conditions, including high winds, rain, hail, thunderstorms, extreme heat and cold temperatures, the product should be stored inside in a cool, dry place.

During prolonged sunny spells, we recommend that furniture should be covered over with a protective furniture cover and/or stored inside when not in use. This will help prevent harmful UV rays from damaging and discolouring the material.

To best preserve the material (synthetic rattan) we recommend the use of a UV protector spray like Fabsil. This will block the harmful UV rays from damaging the material.

Before storage, ensure that the product is clean and dry.

To clean, wipe down with a sponge and warm soapy water and wipe with a clean, dry cloth.

When cleaning glass panels use a damp cloth or leather with washing up liquid or soft soap if necessary; do not use washing powders or any other substances containing abrasives since these substances scratch glass.



Don'ts

Do not use scourers, abrasives, washing powders, chemical cleaners or any other substances containing abrasives since these substances can damage the product, including the glass panel.

Do not place very hot or very cold items on the glass surface unless adequately thick table-mats are used to prevent such items from coming into contact with the glass.

Do not use the glass as a chopping surface. Do not strike glass with hard or pointed items.

Do not strike the glass with hard or pointed items.

Do not use power tools to construct this product.

Do not use this product if parts are missing, damaged or worn.

Do not sit or lean on this product.

Do not stand or climb onto the product and do not use it as a ladder, as this could lead to it unbalancing and overturning.

Never drag furniture when moving it, always lift it.

Number of people required for assembly

Two people.



Time to assemble



30 Minutes

Tools required



Tips:

Do NOT fully tighten bolts before all components are connected.

Only fully tighten once you are satisfied with the alignment of all components.

Do not over-tighten the bolts.

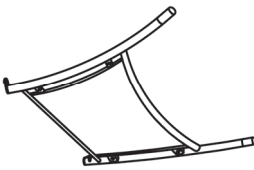
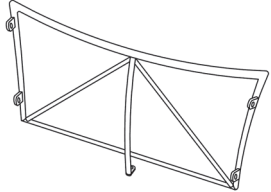
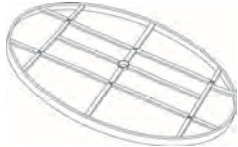









www.royalcraft.co.uk

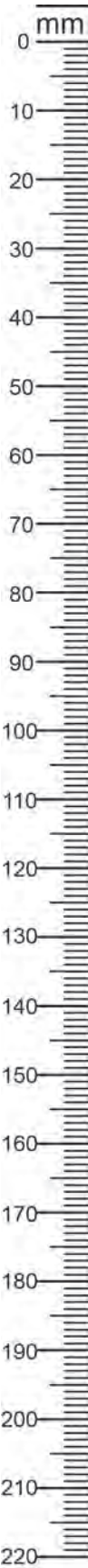


Wentworth 200x145cm Table

Assembly Instructions

Components, fixtures & fittings (not actual size)

Parts List					
Part No.	Diagram	Qty.	Part No.	Diagram	Qty.
A	 Table Leg	2 PCS	B	 Connecting Panel	2 PCS
C	 Table Top Frame	1 PC	D	 Glass Top	1 PC
F2	 Bolt Head Cap	14 PCS	F3	 Flat Washer	14 PCS
F4	 Spring Washer	14 PCS	F5	 Plastic Spacer	8 PCS
F6	 Parasol Hole Cap	1 PC	W20	 M6*20mm Bolt	6 PCS
W35	 M6*35mm Bolt	8 PCS	S1	 Spanner	1 PC



www.royalcraft.co.uk



Wentworth 200x145cm Table

Assembly Instructions

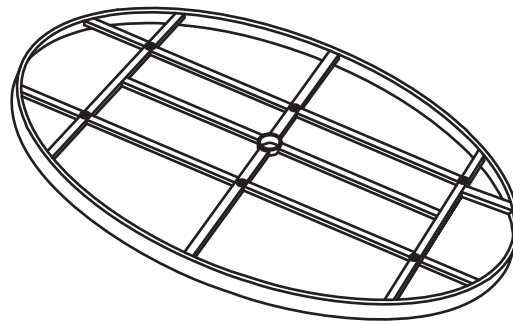
Step by step assembly instructions

All Bolt Head Caps should not be attached before finally tightening all Bolts with Spanner.

Step One

Open the packaging with the glass face down on a flat surface. Leave the glass on the carton until the rest of the table is fully assembled.

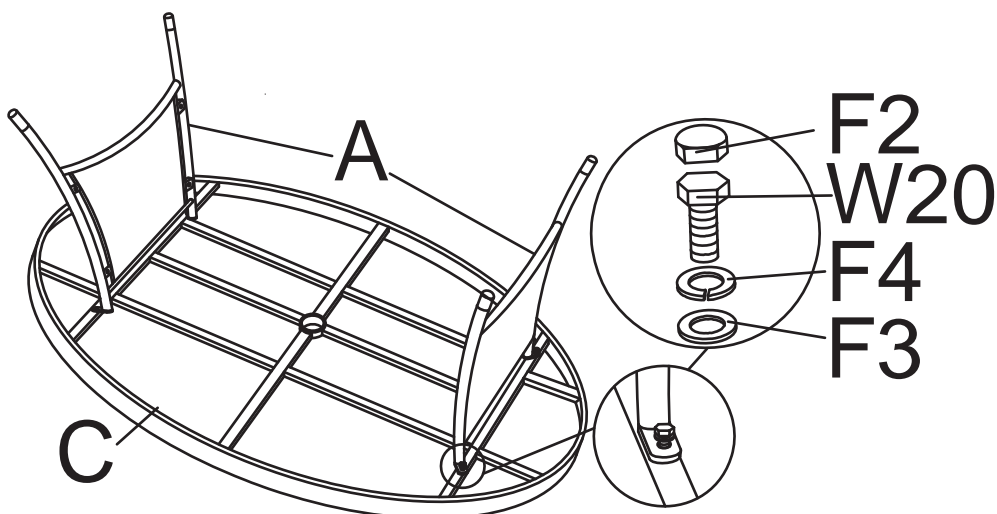
With the help of another person, place Table Top Frame (C) upside down on a flat, non-abrasive surface to avoid scratching the table surface or rim.



Step Two

Do NOT assemble the Legs (A) to the Table Top Frame (C) while it is still resting on the Glass Top (D).

Loosely attach the Table Legs (A) to the Table Top Frame (C) using Bolt Head Caps (F2), Bolts (W20), Spring Washers (F4) and Flat Washers (F3).



www.royalcraft.co.uk

Wentworth 200x145cm Table

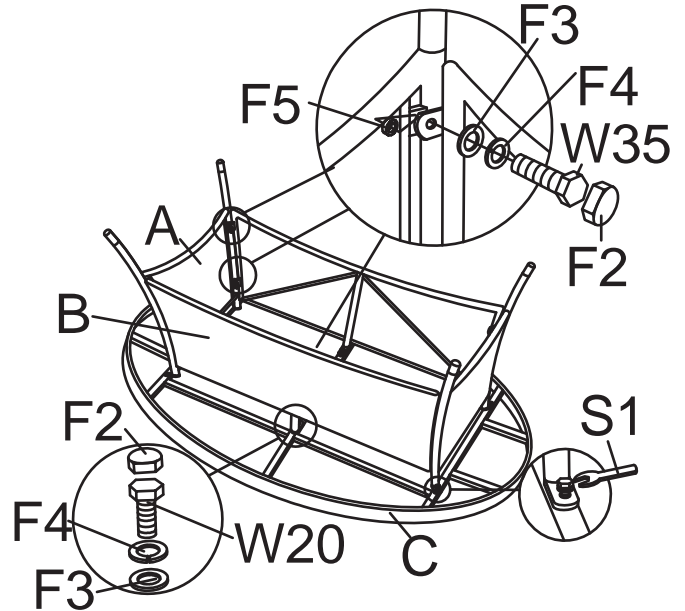
Assembly Instructions

Step Three

Loosely attach the Connecting Panels (B) between the Table Legs (A) using Bolt Head Caps (F2), Bolts (W35), Spring Washers (F4) and Flat Washers (F3).

Please note the Plastic Spacer (F5) is between Table Legs (A) and Connecting Panel (B).

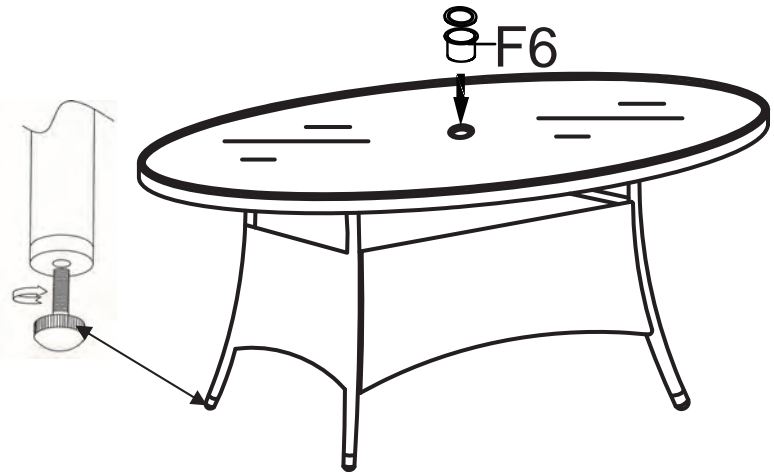
Only tighten the bolts when all bolts and washers are in place. Once you are satisfied with the alignment of the components carefully tighten all bolts using Spanner (S1). Do not over-tighten. Cover each bolt with Bolt Head Cap (F2).



Step Four

With the help of another person, carefully turn the table in the upright position. Level the table by adjustable feet screw.

Carefully place the Glass Top (D) on the Table Top Frame (C) and make sure they are aligned.



Adjustable Foot Screw



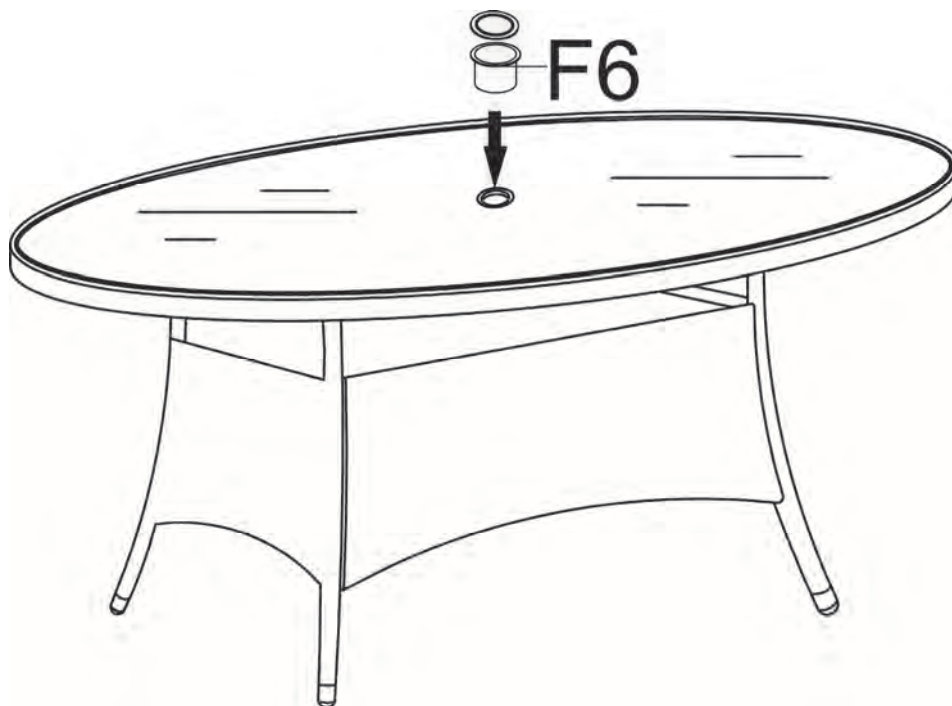
Wentworth 200x145cm Table

Assembly Instructions

Step Five

Gently insert the Parasol Hole Cap (F6) into the parasol hole.

Your table is now ready for use.



Note: Always use a suitable base weight when using a parasol with this table.

PLEASE KEEP THESE INSTRUCTIONS FOR FUTURE REFERENCE

www.royalcraft.co.uk